

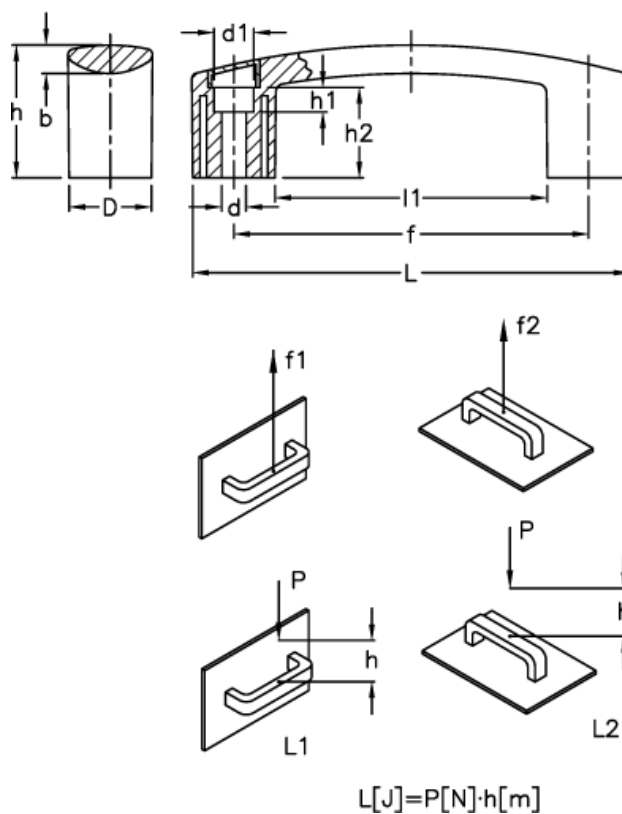
Data Sheet



Article number: 23052601111

Description: E+G Bridge handle
EBP.110-6-C1 Black

Measures



| | | | |
|--------|---------------|--------|---------|
| b | = 7.5 | h1 | = 6.5 |
| d | = 6.5 | h2 | = 23.5 |
| D | = 22.0 | L | = 116.0 |
| d1 | = 10.5 | l1 | = 72.0 |
| f | = 93,5 +/-0,5 | L1 (J) | = 8 |
| F1 (N) | = 2000 | L2 (J) | = 3 |
| F2 (N) | = 1500 | | |
| h | = 35 | | |